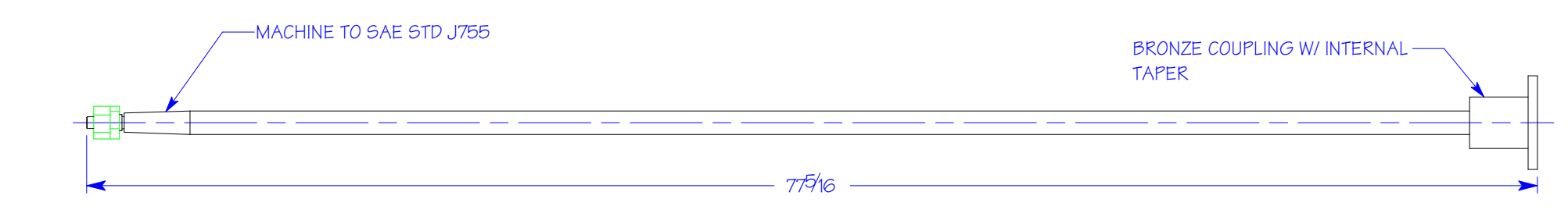
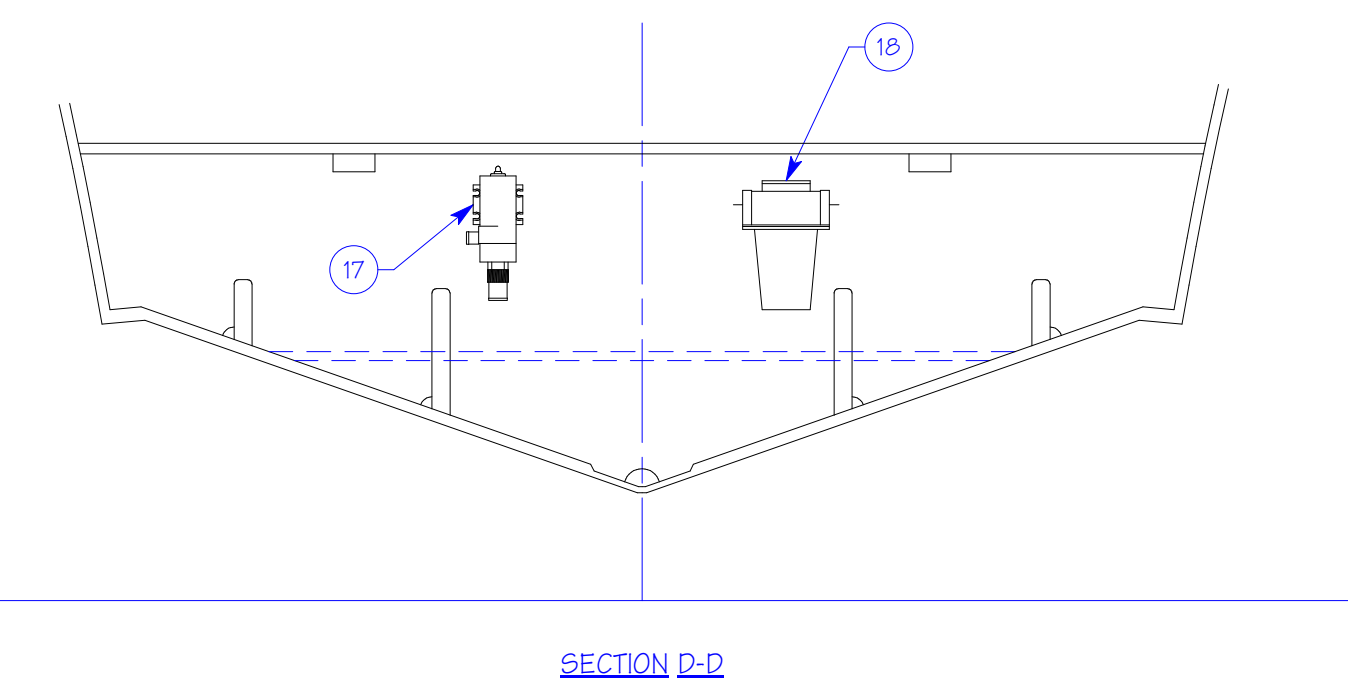
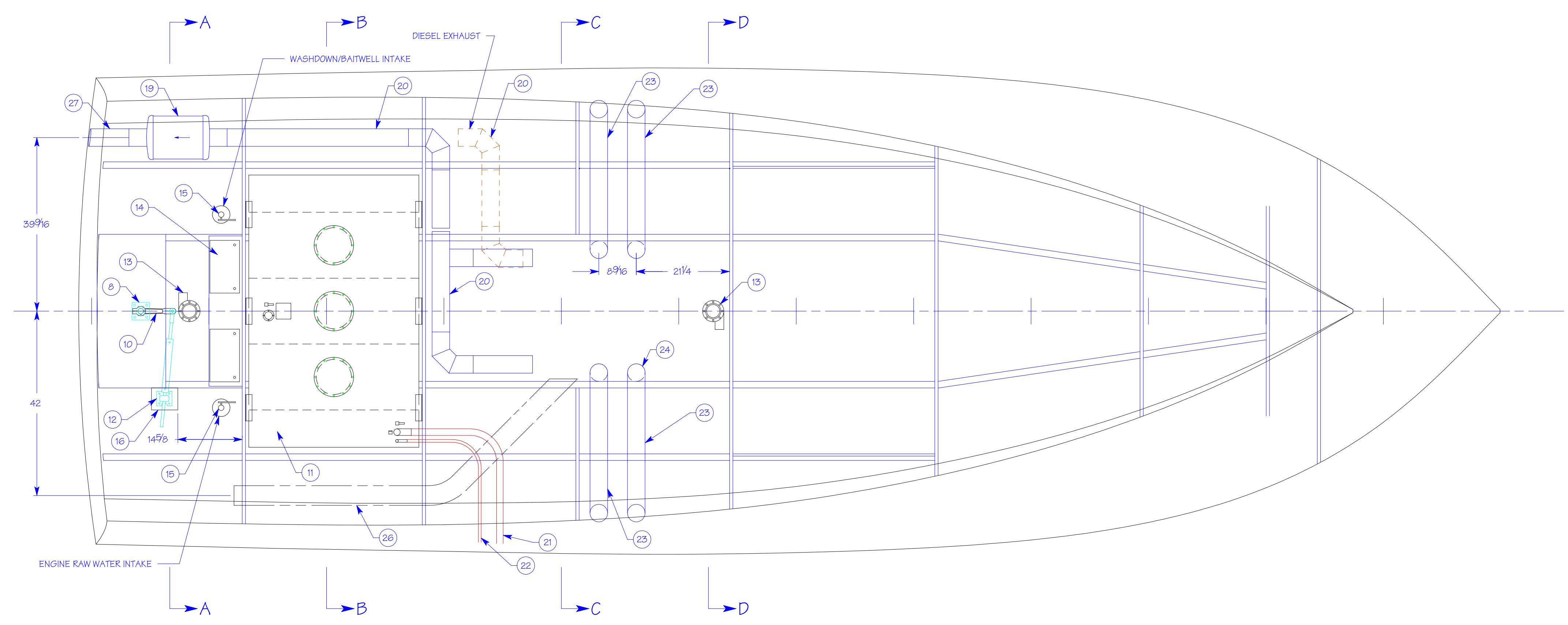
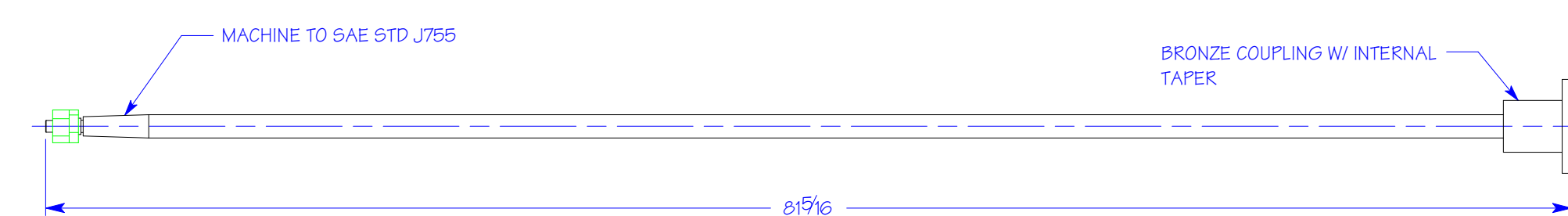


| LIST OF MATERIALS | |
|-------------------|---|
| ITEM | DESCRIPTION |
| 1 | ENGINE: MERCURUISER 5.7L W/ HURTH 630A REDUCTION GEAR |
| 2 | PROPELLER SHAFT: 1 1/4" AQUAMET 19 OR EQUIVALENT |
| 3 | STRUT: BUCK-ALGONQUIN #M549 17518 W/ BRONZE BACKING PLATE |
| 4 | PROPELLER: 18" DIA. - PITCH TO BE DETERMINED BASED ON ENGINE HP/ GEAR RATIO |
| 5 | STUFFING BOX: TIDES MARINE #S6-1250/2 1/2" SHAFT LOG |
| 6 | RUDDER: SEE DWG #A-009 FOR DETAILS (OR RUDDER OF SIMILAR SIZE/STYLE) |
| 7 | RUDDER PORT: BUCK-ALGONQUIN #OORP 125A W/ BACKING PLATE #OORPBP 125A |
| 8 | RUDDER BEARING: BUCK-ALGONQUIN #OORBF 125 |
| 9 | RUDDER COLLAR: BUCK-ALGONQUIN #OORC 125 |
| 10 | TILLER ARM: BUCK-ALGONQUIN #IOTA 12X700 (BRONZE) |
| 11 | TANK, FUEL: 140 GAL. - SEE DWG #B-007 FOR DETAILS |
| 12 | STEERING RAM: TELEFLEX #BA135-7ATM |
| 13 | BILGE PUMP: RULE 3700 GPH |
| 14 | BATTERIES: 27 SERIES DUAL PURPOSE OR DEEP CYCLE |
| 15 | SEACOCK: CONBRACO #78-119-01, 1 1/4" |
| 16 | STEERING RAM MOUNT: SEE DWG #A-010 |
| 17 | MACERATOR PUMP: JABSCO #18590-0000 |
| 18 | STRAINER: GROCO #ARG-1250 W/ MONEL BASKET |
| 19 | MUFFLER: SEE DWG #A-013 |
| 20 | EXHAUST PIPE: SEE DWG #A-014 |
| 21 | HOSE, FUEL FILL: SHIELDS #16-350-0524, 1 1/2" ID |
| 22 | HOSE, FUEL VENT: SHIELDS #16-350-0586, 5/8" ID |
| 23 | HOSE, VENT: SHIELDS #16-420-4000, 4" ID |
| 24 | BLOWER: JABSCO #30480-0500, 4" DIA, 235 CFM |
| 25 | NEOPRENE RUBBER: SHIELDS #N38NE060, 3/8" THICK X 3" WIDE |
| 26 | PVC PIPE: 4" DIA |
| 27 | HOSE, EXHAUST: SHIELDS #16-201-4001, 4" ID |
| 28 | ENGINE BEDS: SEE DWG #B-012 |
| 29 | ENGINE: YANMAR 4LH-STE W/ HURTH 630A REDUCTION GEAR |

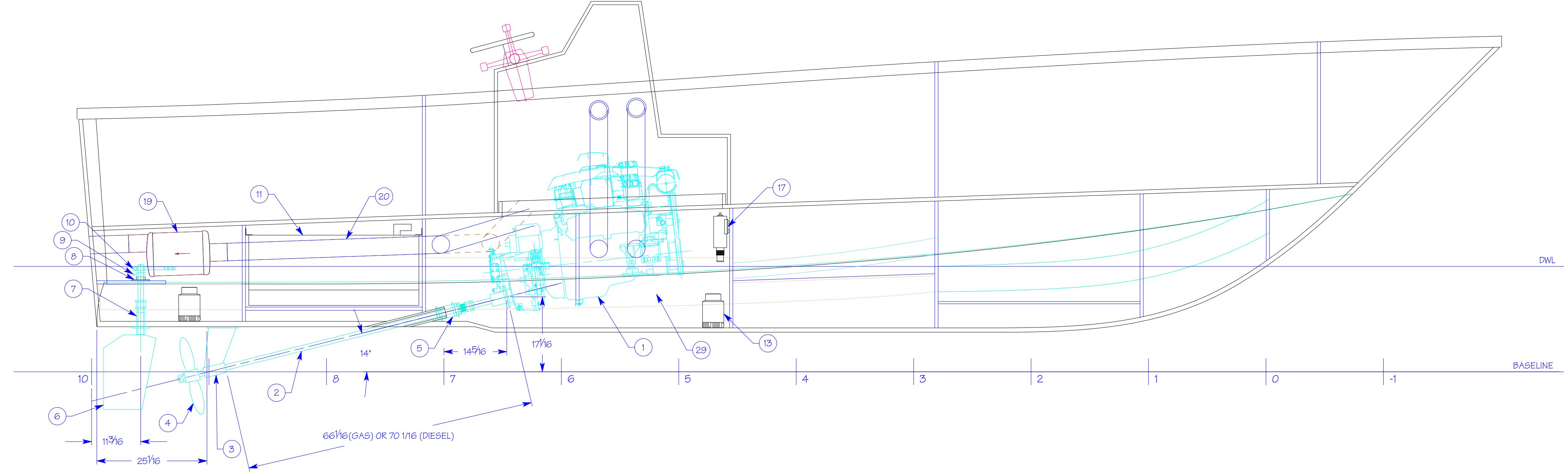


SHAFT DETAIL (GAS)
SCALE: 1/2" = 12"



SHAFT DETAIL (DIESEL)
SCALE: 1/2" = 12"

NOTE:
 1) ALL DIMENSIONS IN INCHES, UNLESS OTHERWISE SPECIFIED
 2) ALL MACHINERY INSTALLATIONS ARE TO BE IN ACCORDANCE WITH ABYC AND USCG STANDARDS
 3) ITEM #24 MAY BE OMITTED WHEN DIESEL ENGINE IS INSTALLED.



SMITH MARINE DESIGN
 P.O. BOX 399, CRYSTAL RIVER, FL 34423 (352) 465-3123

TITLE: MACHINERY ARRANGEMENT
 FOR: STOCK

| | | |
|--------------------|-------------------|--------------|
| DRAWN BY: T. SMITH | SCALE: 3/4" = 12" | DATE: 1/1/02 |
| DESIGN #: SMD-008 | DWG. #: D-004 | REV. LEVEL: |